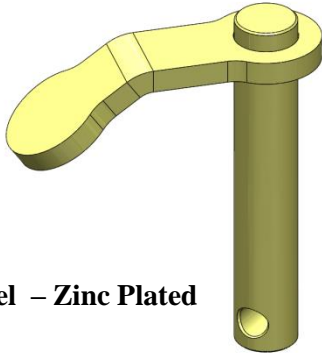


30 Ton Ring Hitch Lock



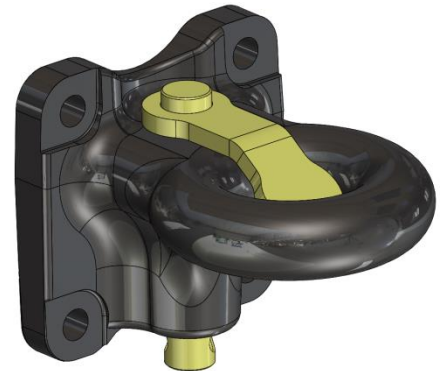
Steel – Zinc Plated

RING HITCH LOCK

Secure your trailer coupler to prevent theft while in storage. Formed steel plate welded to a steel bar. This integral trailer theft lock is built into our ring hitch design (HH30TH). A simple, cost effective locking plate that can always be with the ring hitch using a padlock of your choose (padlock not included).

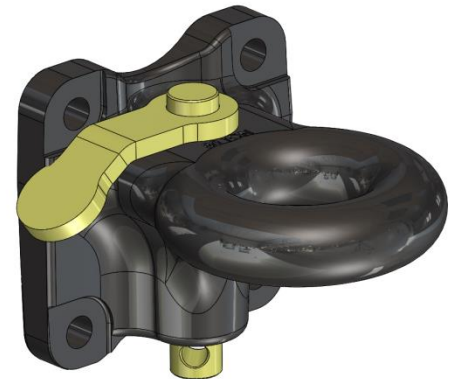
IMPORTANT SAFETY INFORMATION

1. Do not modify or add to the product.
2. Never strike any part of the item with a steel hammer.
3. Do not weld on this product.



ASSEMBLY IN LOCKED POSITION

The above illustration shown is in the locked position, (padlock not shown). Insure lock assembly is in the unlock position before hook-up.(see below)



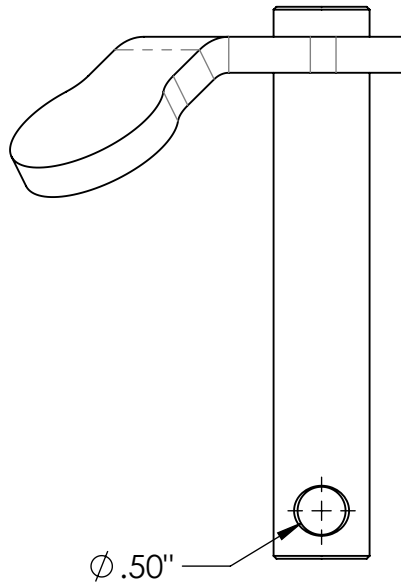
ASSEMBLY IN UNLOCKED POSITION

The above illustration shown is in the unlocked position, (padlock not shown). Insure lock assembly is in the unlock position before hook-up.(see above).

**Lock assembly works on Ring Hitch #HH30TH.
(Hitch sold separately)**


Warranty

This product is to be free from defects in material and workmanship for a period of one year from date of shipment. Parts must be properly installed. Any product which has been altered, Modified, misuse, or lack of maintenance will not be considered under warranty. Authorization from Power Pin Inc. must be obtained before returning any part. The sole responsibility of Power Pin Inc. under this warranty is limited to repairing or replacing any parts which are returned, prepaid, and are found to be defective by Power Pin Inc. No charges for transportation or labor performed on this product will be allowed under this warranty.



Steel - Zinc Plated

All dimensions shown are nominal

ITEM NO.	PART OR IDENTIFYING NO.	NOMENCLATURE OR DESCRIPTION		MATERIAL SPECIFICATION	QTY REQD
		NAME	DATE	 POWER PIN INC. DESCRIPTION: 30 TON RING HITCH LOCK	
DRAWN	LW	July 10/13			
PROPRIETARY AND CONFIDENTIAL THE INFORMATION CONTAINED IN THIS DRAWING IS THE SOLE PROPERTY OF POWER PIN INC. ANY REPRODUCTION IN PART OR AS A WHOLE WITHOUT THE WRITTEN PERMISSION OF POWER PIN INC. IS PROHIBITED.				PART NO.	REV
				HM78A	0
www.powerpin.ca					